

EQUIP. TYPE *2390A/UGR* EXP. NO.

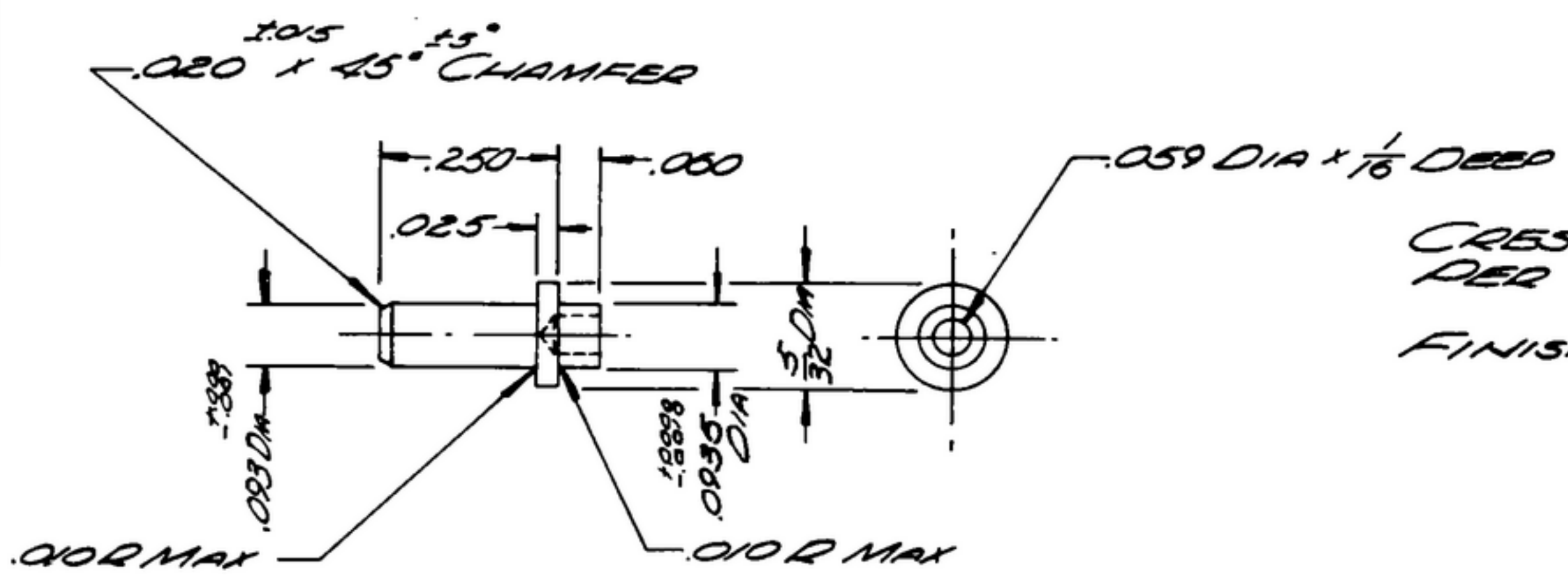
COL 580 9253 002

NOTICE: WHEN GOVERNMENT DRAWINGS, SPECIFICATIONS, OR OTHER DATA ARE USED FOR ANY PURPOSE OTHER THAN IN CONNECTION WITH A SEPARATELY RELATED GOVERNMENT PROCUREMENT OPERATION, THE UNITED STATES GOVERNMENT THEREBY MAKES NO RESPONSIBILITY FOR ANY OBLIGATION WHATSOEVER, AND THE FACT THAT THE GOVERNMENT MAY HAVE FORMULATED, FURNISHED, OR IN ANY WAY SUPPLIED THE SAID DRAWINGS, SPECIFICATIONS, OR OTHER DATA IS NOT TO BE REGARDED BY IMPLICATION OR OTHERWISE AS IN ANY MANNER LICENSING THE HOLDER OR ANY OTHER PERSON OR CORPORATION, OR CONFERRING ANY RIGHTS OR PERMISSION TO MANUFACTURE, USE, OR SELL ANY PATENTED INVENTION THAT MAY IN ANY WAY BE RELATED THERETO.

THIS DOCUMENT HAS BEEN PURCHASED BY THE GOVERNMENT AND MAY BE REPRODUCED AND USED IN CONNECTION WITH ANY GOVERNMENT PROCUREMENT OR MANUFACTURE OPERATION.

* FOR INFORMATION ONLY, CONTRACTOR MAY AT HIS OPTION DEVIATE FROM THESE PROCESS DETAILS.

REVISIONS			
SYM	DESCRIPTION	DATE	APPROVAL



*CRES, COMP 303S, COND B, SURFACE COND d,
PER SPEC MIL-5-7720
FINISH: E300 PER SPEC MIL-F-14072.
~~* COLLINS 580 9253 00~~*

COLLINS PART NO.	ITEM	QTY	PART NO.	DESCRIPTION	MATL	MATL SPEC
------------------	------	-----	----------	-------------	------	-----------

LIST OF MATERIAL

COLLINS PART NO. *558 9253 002*

COLLINS NO.	QTY	NEXT ASSY	USED ON
<i>558 9253 002</i>	<i>5</i>	<i>SM-B-248909</i>	<i>SC-DL-248775</i>

DRAWN *RDE* CHECKED *BG* APPROVED

UNLESS OTHERWISE SPECIFIED:
 DECIMAL DIMENSIONS INCLUDING HOLE SIZES MAY VARY ±.008
 FRACTIONAL DIMENSIONS INCLUDING HOLE SIZES MAY VARY ±1/64
 MACHINED ANGLES MAY VARY ±.1°
 SHEARED ANGLES MAY VARY ±.25°
 BROKEN ANGLES MAY VARY ±.1°
 ECCENTRICITY BETWEEN ANY DIAMETERS ON THE SAME CENTERLINE SHALL NOT EXCEED .010 TOTAL INDICATOR READING.
 ALL DIMENSIONS ARE FINISH DIMENSIONS INCLUDING APPLIED FINISH AND ARE GIVEN IN INCHES.

COLLINS RADIO CO.
 14214-PH-51-93
 SIGNAL CORPS
 REVIEWED *PME*
 APPROVED *HLV*
PME
 DATE *29 Aug 58* SCALE *4/1*

PIN-CLUTCH

DEPARTMENT OF THE ARMY
 SIGNAL CORPS ENGINEERING
 LABORATORIES
 FORT MONMOUTH NEW JERSEY
SM-B-248909